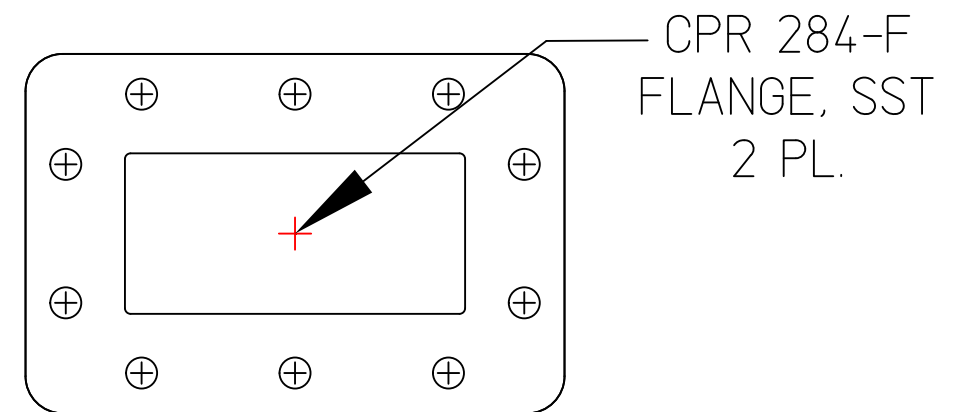
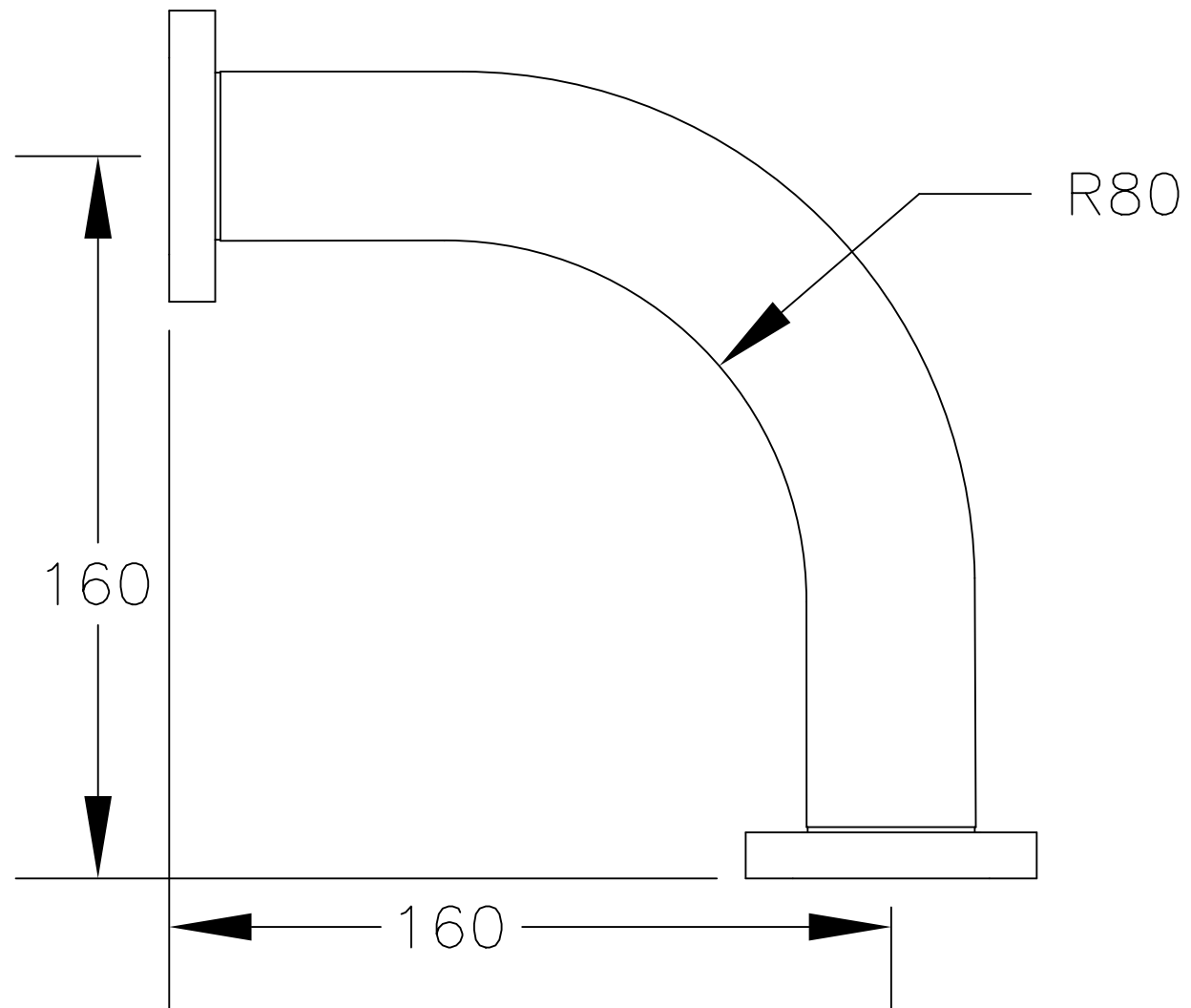
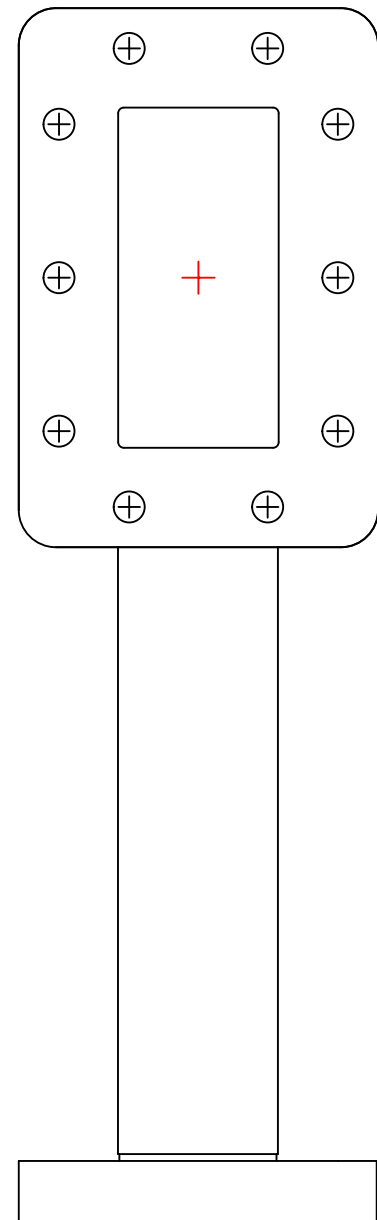


REVISIONS				
ZONE	REV	DESCRIPTION	DATE	APPROVED
	0			



NOTES:

1. ALL DIMENSIONS PROVIDED IN MILLIMETERS.
2. TOLERANCES TO +/- 1mm.

<small>/Volumes/CML SHWRE/USER FOLDERS/Com/Marketing Material/Logo Items/CML Full Address Logo 650x150.BMP</small>				
<b>OUTLINE, MODEL 1420-07</b>				
SIZE B	CAGE CODE	DWG NO. 1420-07-00000	REV 00	
SCALE NONE	Drawn By: CLN	Date: 1/26/2016	SHEET 1 of 1	