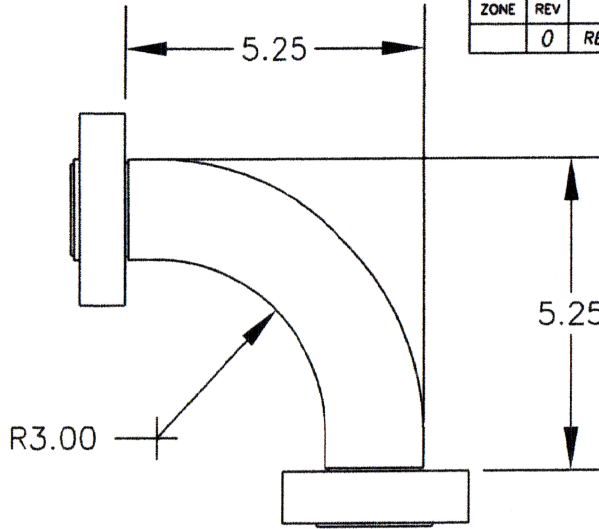
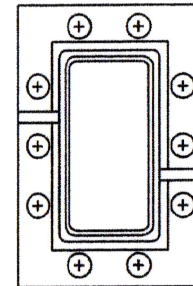


FLANGE, SLAC
CRUSH SEAL MALE



FLANGE, SLAC
CRUSH SEAL, FEMALE



REVISIONS				
ZONE	REV	DESCRIPTION	DATE	APPROVED
	0	RELEASED FOR PRODUCTION	5/17/2010	Lee Nelson

QTY REQ'D	PART NUMBER IDENTIFICATION	DESCRIPTION		ITEM NO.
		CML Engineering, Inc.		
		2020 Ridgcrest Place, Escondido, CA 92029 TEL: 760-432-8490 FAX: 760-432-8360		
		OUTLINE, MODEL 1220-03		
		SIZE	CAGE CODE	DWG NO.
		B		1220-03-0000
		SCALE	NONE	REV 0
			Drawn By: L.J.N Date: 5/19/2010	SHEET 1 of 1

TOLERANCES
(UNLESS OTHERWISE SPECIFIED)

DECIMALS: 1 PLACE +/- .080
2 PLACE +/- .020
3 PLACE +/- .005

FRACTIONS: +/- 1/16
ANGLES: +/- 1/2 DEGREE

FINISH: 63 U INCH OR BETTER
EDGES: BREAK EDGES 1/32 R MAX.

MATERIAL: REFERENCE