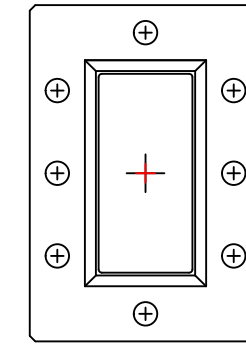
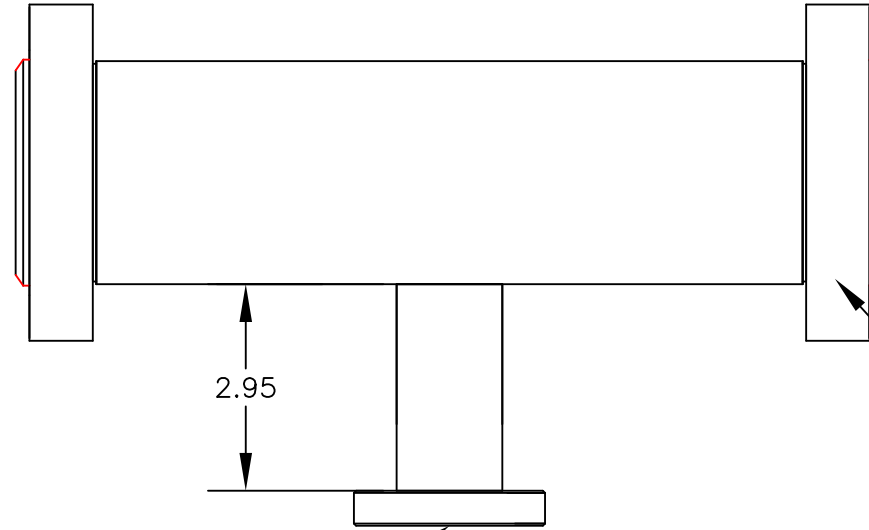
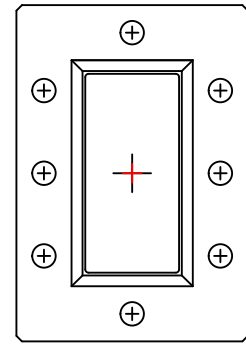
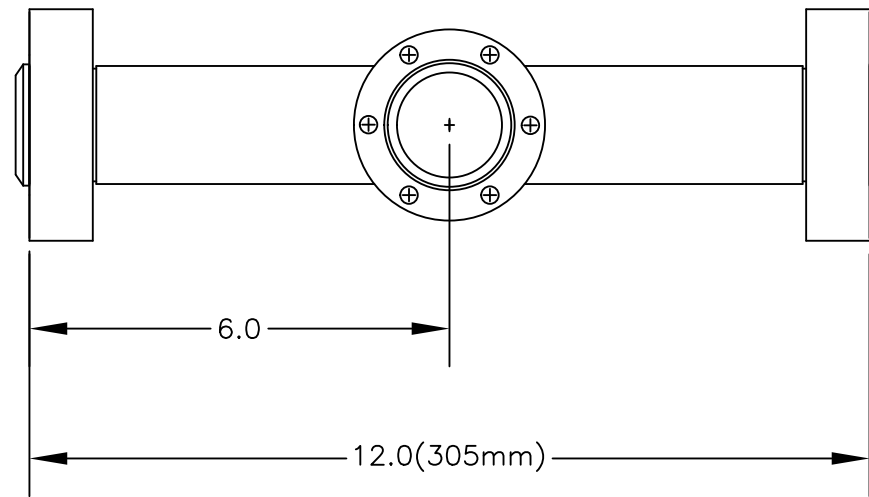


REVISIONS				
ZONE	REV	DESCRIPTION	DATE	APPROVED
	0	RELEASED FOR PRODUCTION	12/21/2007	Lou Nielsen



LIL FLANGE, TYP. 2PL.

2-3/4 CONFLAT



**TOLERANCES
(UNLESS OTHERWISE SPECIFIED)**

DECIMALS: 1 PLACE +/- .050
 2 PLACE +/- .020
 3 PLACE +/- .005

FRACTIONS: +/- 1/16
 ANGLES: +/- 1/2 DEGREE

FINISH: 63 U INCH OR BETTER
 EDGES: BREAK EDGES 1/32 R MAX.

MATERIAL: REFERENCE

CML Engineering, Inc.
 2020 Ridgecrest Place, Escondido, CA 92029 TEL: 760-432-8490 FAX: 760-432-8350

OUTLINE, MODEL 1920-02

SIZE B	CAGE CODE	DWG NO. 1920-02-0000	REV 0
SCALE NONE	Drawn By: L/JN	Date: 12/20/2007	SHEET 1 of 1