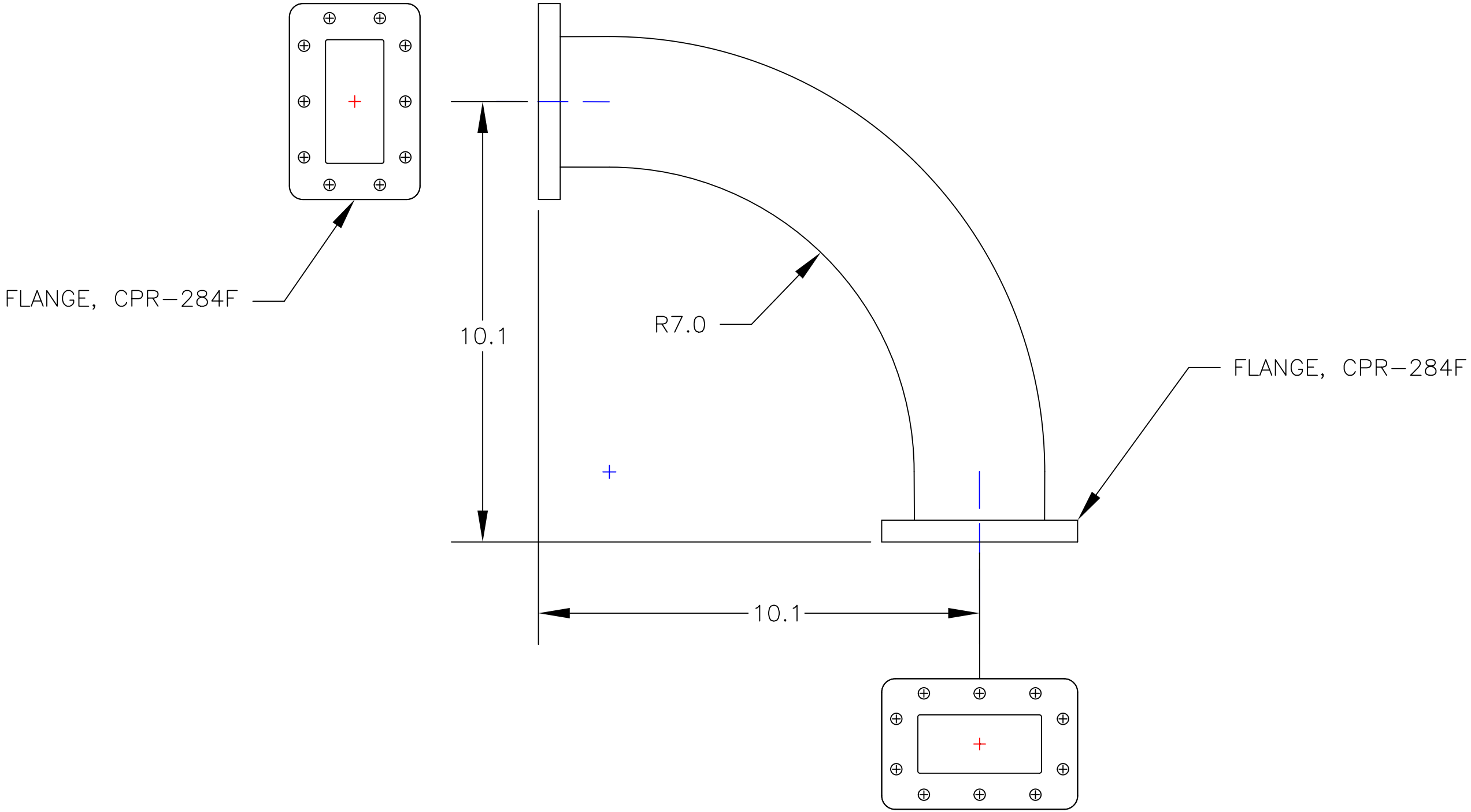


| REVISIONS | | | | |
|-----------|-----|-------------------------|----------|-------------|
| ZONE | REV | DESCRIPTION | DATE | APPROVED |
| | 0 | RELEASED FOR PRODUCTION | 12/16/99 | Lou Nielsen |



TOLERANCES
(UNLESS OTHERWISE SPECIFIED)

DECIMALS: 1 PLACE +/- .050
 2 PLACE +/- .020
 3 PLACE +/- .005

FRACTIONS: +/- 1/16
 ANGLES: +/- 1/2 DEGREE

FINISH: 63 U INCH OR BETTER
 EDGES: BREAK EDGES 1/32 R MAX.

MATERIAL: REFERENCE

CML Engineering, Inc.
 2020 Ridgecrest Place, Escondido, CA 92029 TEL: 760-432-8490 FAX: 760-432-8350

OUTLINE, MODEL 1420-02

| | | | |
|----------------------|----------------|--------------------------------|------------------------|
| SIZE B | CAGE CODE | DWG NO. 1420-02-0000 | REV 0 |
| SCALE NONE | Drawn By: L/JN | Date: 12/15/99 | SHEET 1 of 1 |