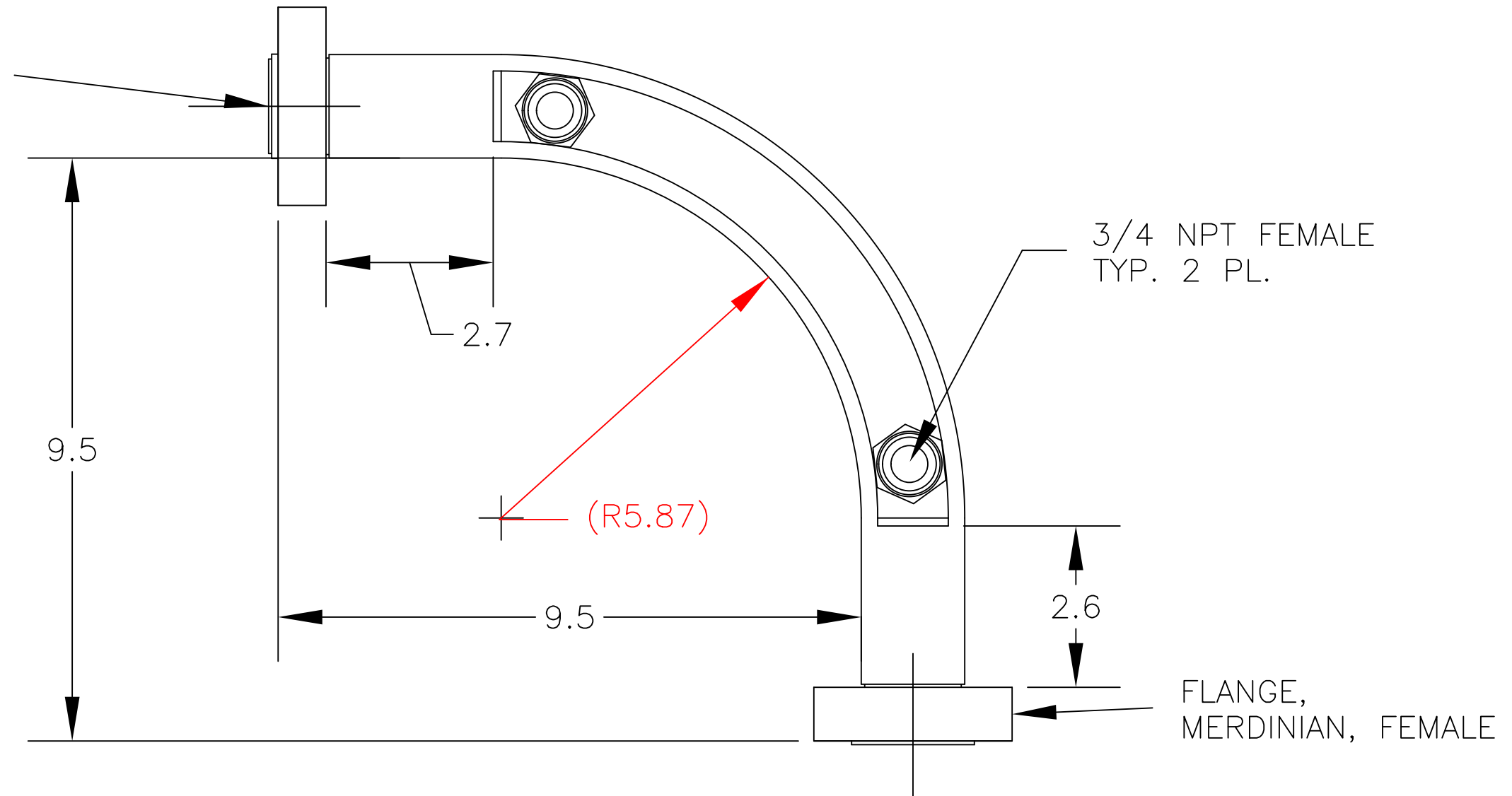


REVISIONS				
ZONE	REV	DESCRIPTION	DATE	APPROVED
	0	RELEASED FOR PRODUCTION	12/16/99	Lou Nielsen

FLANGE,  
MERCINIAN, MALE



3/4 NPT FEMALE  
TYP. 2 PL.

(R5.87)

FLANGE,  
MERCINIAN, FEMALE

SPECIFICATIONS:

FREQUENCY RANGE: 2.60 TO 3.95 GHz  
 POWER HANDLING: 40 MW PEAK, 24 kW AVG.  
 VSWR: 1.10:1 MAXIMUM  
 WAVEGUIDE ATMOSPHERE: HIGH VACUUM  
 COOLANT: WATER  
 COOLANT FLOW RATE: 1 GPM  
 COOLANT PRESSURE: 150 PSIG MAXIMUM

TOLERANCES (UNLESS OTHERWISE SPECIFIED)	
DECIMALS: 1 PLACE	+/- .050
2 PLACE	+/- .020
3 PLACE	+/- .005
FRACTIONS: +/- 1/16	
ANGLES: +/- 1/2 DEGREE	
FINISH: 63 U INCH OR BETTER	
EDGES: BREAK EDGES 1/32 R MAX.	
MATERIAL: REFERENCE	

**CML Engineering, Inc.**

2020 Ridgecrest Place, Escondido, CA 92029 TEL: 760-432-8490 FAX: 760-432-8350

**MODEL 1220-04 E-PLANE BEND**

SIZE B	CAGE CODE	DWG NO. 1220-04-0000	REV 0
SCALE NONE	Drawn By: L/JN	Date: 12/15/99	SHEET 1 of 1